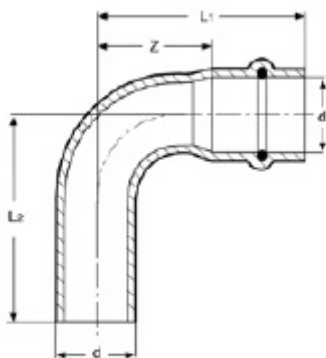


ZC0001 Curva 90° M / F



CODICE	d	L1	Z	L2
ZC0001012012000	12	33	15	34
ZC0001015015000	15	40	18	42
ZC0001018018000	18	45	22	47
ZC0001022022000	22	50	26	52
ZC0001028028000	28	59	34	61
ZC0001035035000	35	68	42	70
ZC0001042042000	42	87	51	88
ZC0001054054000	54	105	65	107