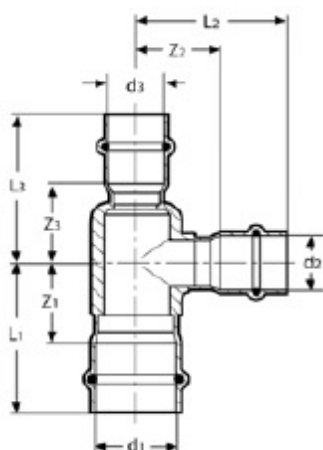


ZC0131 T Ridotto F/F/F



CODICE	d1xd2xd3	L1	Z1	L2	Z2	L3	Z3
ZC0131012015012	12x15x12	29	11	39	21	29	11
ZC0131015012012	15x12x12	40	18	30	12	30	12
ZC0131015012015	15x12x15	41	19	42	24	41	19
ZC0131015022015	15x22x15	42	20	46	22	42	20
ZC0131018015018	18x15x18	45	22	42	20	45	22
ZC0131018022018	18x22x18	45	22	48	24	45	22
ZC0131022012022	22x12x22	49	25	39	21	49	25
ZC0131022015022	22x15x22	49	25	47	25	49	25
ZC0131022018022	22x18x22	49	25	45	22	49	25
ZC0131022028022	22x28x22	49	25	49	24	49	25
ZC0131028015028	28x15x28	54	29	56	34	54	29
ZC0131028018028	28x18x28	58	33	55	32	58	33
ZC0131028022028	28x22x28	58	33	54	30	58	33
ZC0131035015035	35x15x35	58	32	56	34	58	32
ZC0131035018035	35x18x35	58	32	58	35	58	32
ZC0131035022035	35x22x35	58	32	49	25	58	32
ZC0131035028035	35x28x35	58	32	61	36	58	32
ZC0131042022042	42x22x42	71	35	63	39	71	35
ZC0131042028042	42x28x42	71	35	64	39	71	35
ZC0131042035042	42x35x42	71	35	67	41	71	35
ZC0131054022054	54x22x54	82	42	72	48	82	42
ZC0131054028054	54x28x54	82	42	74	49	82	42
ZC0131054035054	54x35x54	82	42	76	50	82	42
ZC0131054042054	54x42x54	82	42	82	46	82	42